



Smartflex

Flexographic printing machines

Laminators

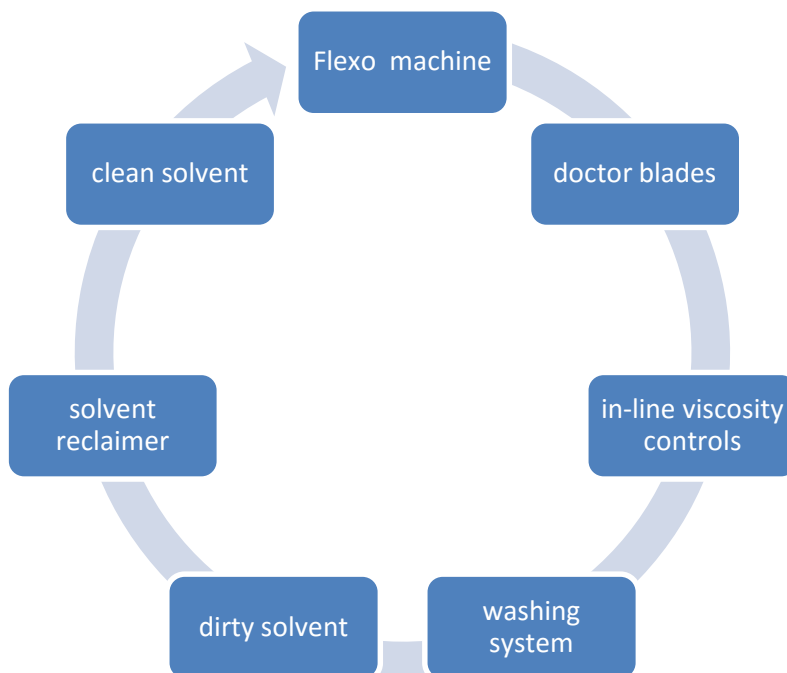
Slitter rewinders

Ancillary equipments

INK & SOLVENT MANAGEMENT SYSTEM

The ink management is an integrated system to provide a close loop totally automatic among the single parts involved in the inking, viscosity measuring, ink washing and solvent reclaiming without any operator intervention and in total safety.

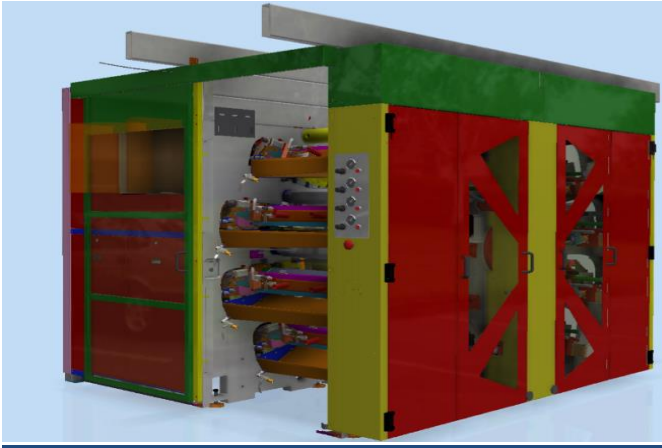
The system is modular so that it can be offered complete on new or already existing flexo presses, or by modules interfaced with the already existing ones.





Smartflex

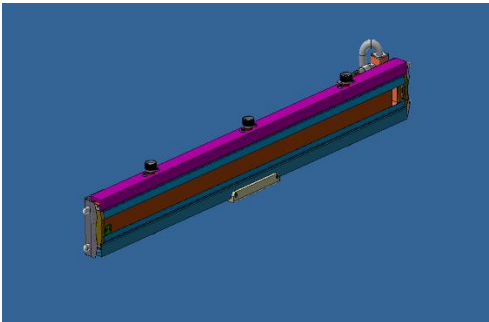
Flexographic printing machines
Laminators
Slitter rewinders
Ancillary equipments



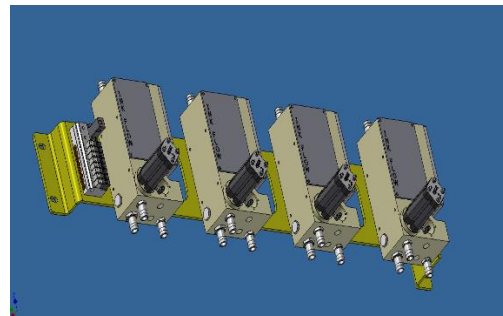
The red arrows show where operator's intervention is required and therefore involving repeated extra-cost.



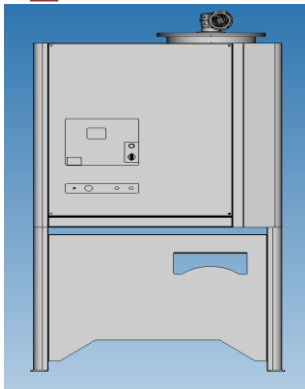
Flexo machine



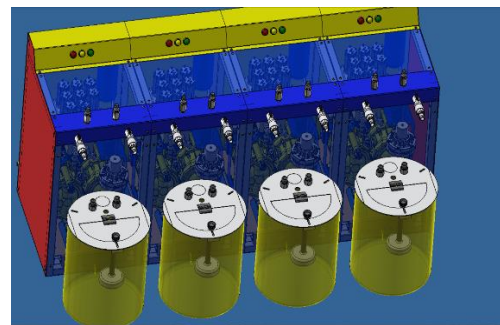
Doctor blades



Viscosity controls



Solvent reclaimer



Washing systems

Cascina Cicogna 1 27048 Sommo (Pv) Italy
Tel. +39 327 120 4182
aarezio@smartflex.it
VAT :IT 02551750181



Smartflex

Flexographic printing machines
Laminators
Slitter rewinders
Ancillary equipments

Doctor Blade



A reverse angle doctor blade, chamber system, enables the transfer of the ink to the anilox roller sleeve.

The above system includes two blades, mounted on an aluminium bar (applicator head) and lateral seals.

The doctor blade system is mounted on sliding blocks in order to control the pressure on the anilox roller sleeve.

Cascina Cicogna 1 27048 Sommo (Pv) Italy
Tel. +39 327 120 4182
aarezio@smartflex.it
VAT :IT 02551750181



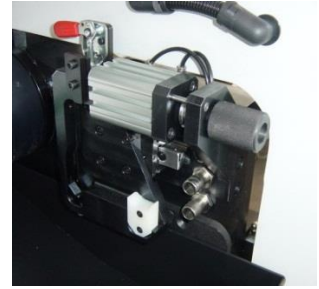
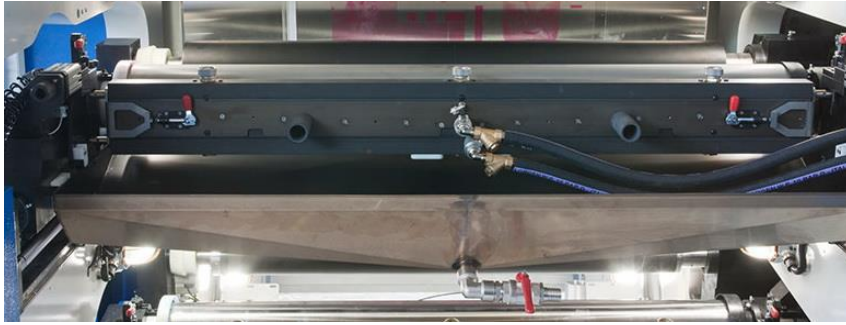
Smartflex

Flexographic printing machines

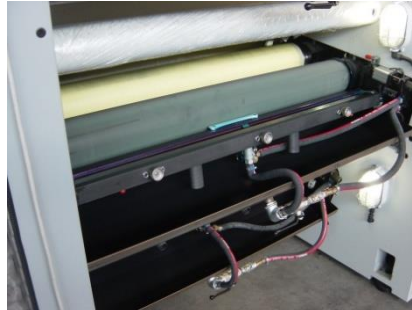
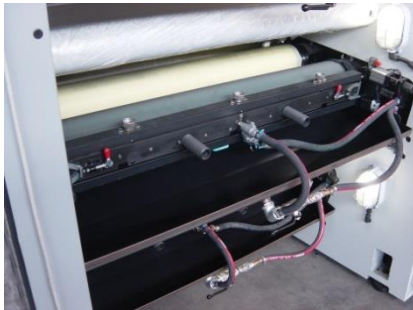
Laminators

Slitter rewinders

Ancillary equipments



The alignment and pressure set up of the blades against the anilox roller sleeve is obtained thru screws and a pneumatic system. The pressure regulation of the doctor blade onto the anilox roller can be made **pneumatically and also mechanically**, in order to avoid overpressure and therefore high consumption of the blades.



The doctor blade chamber is in **hard anodised aluminium**.

At the anilox sleeve-change, the doctor blade system moves back pneumatically to insure the necessary space for the changing operation.

Doctor blade chamber is provided with special holes with fast couplings for ink in- and outlet.

Ink is circulated by a pneumatic pump.

Cascina Cicogna 1 27048 Sommo (Pv) Italy

Tel. +39 327 120 4182

aarezio@smartflex.it

VAT :IT 02551750181



S m a r t f l e x

Flexographic printing machines

Laminators

Slitter rewinders

Ancillary equipments

Smartwash Automatic inking and washing system

Smartwash has been developed in order to provide the necessary ink during the printing process and to rapidly clean the chamber doctor blade, the anilox roller and all ink pipes completely, during the job change-over time.

The system is composed by a general control panel integrated on the main press' consolle, a main cabinet for up to four Smartwash units, an electric cabinet with electronic components and individual units.

Pneumatic circuit is double, this allows a perfect control of pump pressure for inking or washing process.

Each Smartwash module is provided with: two pneumatic pumps, one flow reducer on inlet pump, valves, anti-static tubes for inks, ink's deposit cover and ink filters.

System's control and operation is made from the main consolle of the press.

Viscosimeters units can be connected to the AC-System in any time. Viscosimeters can be supplied with the AC-System or can be added once the machine is at customer's plant.

Being modular, any Smartwash unit can be managed, replaced , repaired or cleaned independently.

Each unit has its own PLC so every module is not linked to the others and can be moved, if necessary, to a different press.

Washing process can be adjusted to every work's needs. Operator can choose three different cycles: "Light", "Medium" or "Heavy" and any of them can be modified as per operator's preferences.

With Smartwash is possible to clean all the printing units at the same time or different units separately.

Operators have the chance to manually remove ink rests on the circuit (0,2 lts)



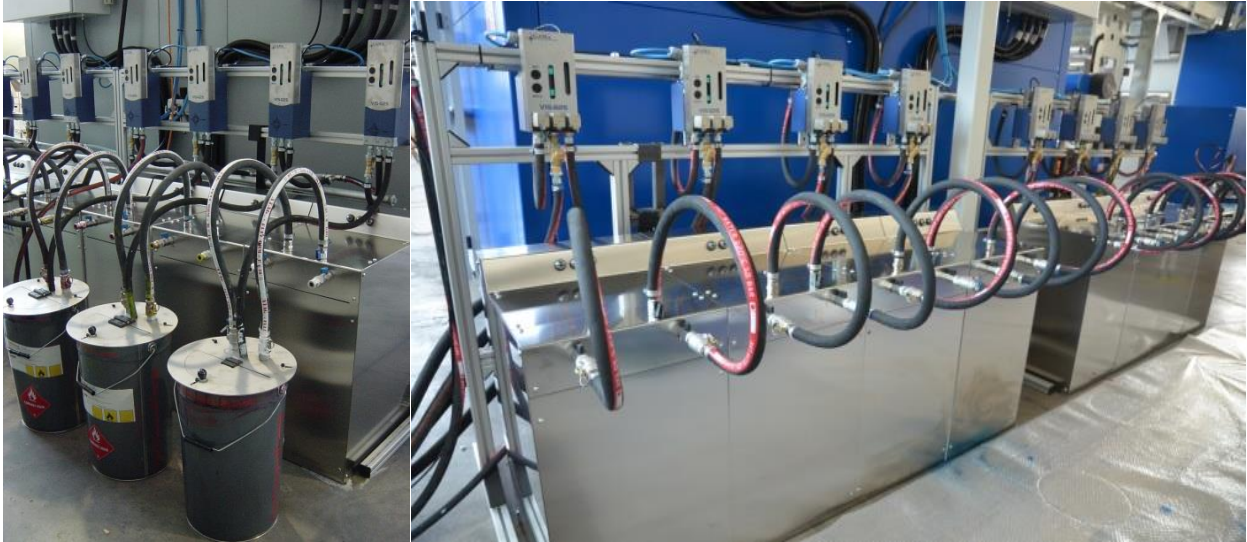
Smartflex

Flexographic printing machines

Laminators

Slitter rewinders

Ancillary equipments



Cascina Cicogna 1 27048 Sommo (Pv) Italy

Tel. +39 327 120 4182

aarezio@smartflex.it

VAT :IT 02551750181



Smartflex

Flexographic printing machines

Laminators

Slitter rewinders

Ancillary equipments

In-line viscosity controls



Viscosity control unit has been studied to measure and regulate the viscosity of the ink, controlled by its own electronic card.

By using also the washing system (A-C System), it is possible to install the viscosity control into the computer of the washing system, inserting the touch screen into the machine command panel.

The measuring of the viscosity is done through a vibrating sensor, built into the ink pipe.

This measuring is done in time intervals and allows to maintain a constant viscosity during the complete working phase and also during short machine stops (if the ink circulation is maintained).

The system is self-clearing and does not need operator's maintenance at the end of the job.



Smartflex
Flexographic printing machines
Laminators
Slitter rewinders
Ancillary equipments

Solvent reclaiming system

ROTO PLUS 100 ATEX II2G

Description

The new version of the consolidated series ROTO PLUS introduces a new size with filling capacity of 100 liters. It will give the chance to medium size companies to work with an advanced reclaimer, having access to features available only for big and expensive distillation units. The compact design and the sturdy construction allow installation in small spaces or outdoors. The unit comes with an ATEX certified control panel installed on board. The internal cleaning system installed inside the distillation kettle is provided with new blades preloaded by springs ensuring perfect scraping of the tank surface. Its high level of automation reduces the operator's intervention to the sole replacement of the sludge collection tank. Thanks to CONTINUOUS CYCLE operation integrated to external storage tanks, the distillation process is never interrupted.

Functioning

Fully automatic distillation process with control of heating, solvent vapors and distilled product temperatures. Scraper with customizable functioning. AUTOMATIC, TIMED or AUTO/TIMED distillation cycle, depending on the solvent blend. MULTISETPPOINT cycle with up to 9 different heating temperatures, ideal for mixtures of different solvents. Automatic load of the waste solvent by mean of pneumatic pump or vacuum generator. Automatic discharge of the residuals at the end of the distillation phase.

Benefits

- Touch Screen PLC
- ON BOARD electric panel
- Operating parameters recording
- Distillation data monitoring
- Residues discharge in 200-liters drums
- Plug&Play easy installation
- Easy maintenance
- Low operating cost
- Lateral inspection hatch



Cascina Cicogna 1 27048 Sommo (Pv) Italy
Tel. +39 327 120 4182
aarezio@smartflex.it
VAT :IT 02551750181



Smartflex

Flexographic printing machines
Laminators
Slitter rewinders
Ancillary equipments



Solvent reclaim machine

Cascina Cicogna 1 27048 Sommo (Pv) Italy
Tel. +39 327 120 4182
aarezio@smartflex.it
VAT :IT 02551750181



Smartflex
Flexographic printing machines
Laminators
Slitter rewinders
Ancillary equipments



Stainless steel solvent tanks



Inner tank inspection door

Cascina Cicogna 1 27048 Sommo (Pv) Italy
Tel. +39 327 120 4182
aarezio@smartflex.it
VAT :IT 02551750181



Smartflex

Flexographic printing machines
Laminators
Slitter rewinders
Ancillary equipments



Inner tank scraper

Kind regards



Smartflex

Andrea Arezio

Sales Manager

mobile: [+39 327 120 4182](tel:+393271204182)

skipe: aarezio

Cascina Cicogna 1 27048 Sommo (Pv) Italy
Tel. +39 327 120 4182
aarezio@smartflex.it
VAT :IT 02551750181